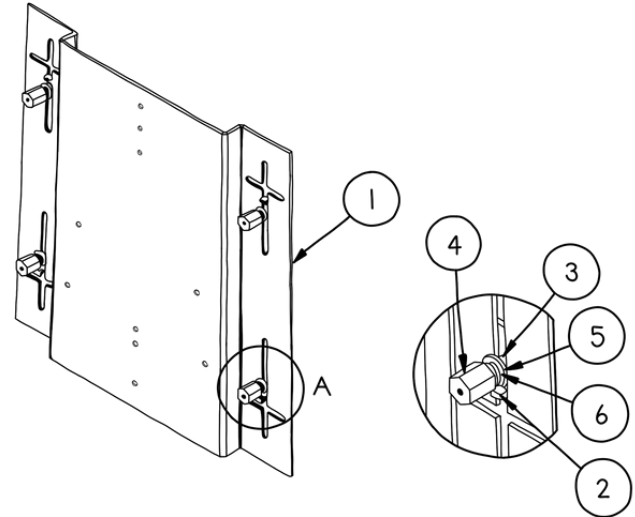


SDTFXDMP DISCONNECT MOUNTING PLATE

IMPORTANT: DISCONNECT POWER BEFORE INSTALLATION. INSTALLATION OF THIS PRODUCT MUST COMPLY WITH NATIONAL AND LOCAL ELECTRICAL CODES. THERE ARE SHARP EDGES. HANDLE WITH CARE AND WEAR CUT RESISTANT GLOVES. HAND TIGHTEN SCREWS ONLY. IF YOU HAVE DOUBTS OR ARE UNFAMILIAR WITH THIS TYPE OF INSTALLATION WORK, SEEK THE SERVICES OF A QUALIFIED SERVICE TECHNICIAN.

FIG. #	DESCRIPTION	QTY
1	MOUNTING PLATE	1
2	LATCH PLATE	4
3	6-32 X 5/8" PEM STUD	4
4	0.312" HEX NUT X 3/8" LONG, 6-32 THREAD	4
5	#8 FLAT WASHER	4
6	LOCK WASHER	4



IMPORTANT: WHEN MOUNTING THE DISCONNECT TO THE MOUNTING PLATE, USE 1/2" LENGTH SCREWS ONLY.